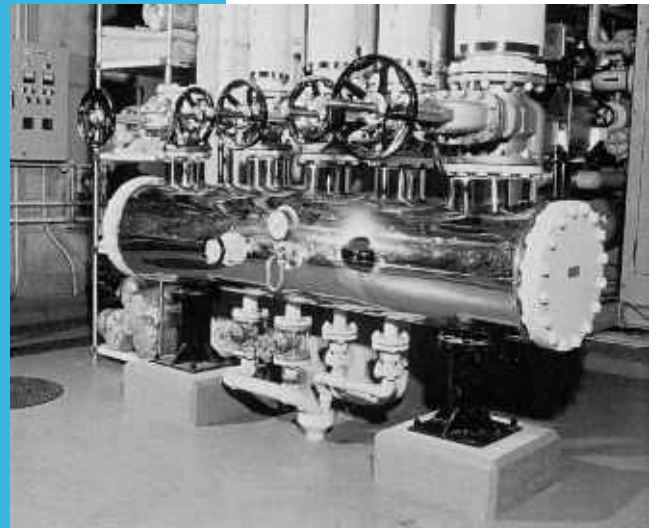


止回阀

Check Valve

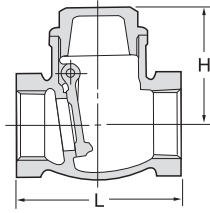


PN16

青铜丝扣旋启式止回阀

Cast Bronze Swing Check Valve Threaded ends to Bs21

R



最高工作压力 [Maximum Working Pressure]

| | |
|---|---------------|
| 120℃压力变动小的水·油·气 [120°C W.O.G.non-shock] | 1.6MPa(16bar) |
| 饱和蒸气 [Saturated steam] | 1.0MPa(10bar) |

材质 [Materials]

| 零件 [Parts] | 材质 [Material] |
|----------------|---|
| 阀体 [Body] | 青铜CAC [Cast bronze CAC] |
| 阀盖 [Bonnet] | 黄铜(DN10 ~ DN80) / 青铜(DN100) [Forged brass(DN10 ~ DN80)/ Cast bronze(DN100)] |
| 阀瓣 [Disc] | 黄铜(DN10 ~ DN80) / 青铜(DN100) [Forged brass(DN10 ~ DN80)/ Cast bronze(DN100)] |
| 销轴 [Hinge pin] | 黄铜 [Forged brass] |

尺寸 [Dimensions]

(mm)

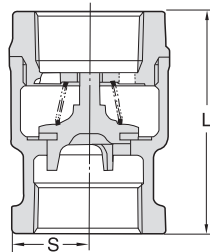
| DN | mm | 10 | 15 | 20 | 25 | 32 | 40 | 50 | 65 | 80 | 100 |
|----|------|---------------|---------------|---------------|----|----------------|----------------|-----|----------------|-----|-----|
| | inch | $\frac{3}{8}$ | $\frac{1}{2}$ | $\frac{3}{4}$ | 1 | $1\frac{1}{4}$ | $1\frac{1}{2}$ | 2 | $2\frac{1}{2}$ | 3 | 4 |
| L | | 53 | 60 | 53 | 80 | 92 | 102 | 122 | 150 | 165 | 195 |
| H | | 39 | 39 | 45 | 52 | 62 | 67 | 79 | 91 | 102 | 119 |

PN16

青铜丝扣升降式止回阀

Cast Bronze Lift Check Valve Threaded ends to BS21

RF



最高工作压力 [Maximum Working Pressure]

| | |
|---------------------------------------|---------------|
| 80℃压力变动小的水·油·气 [80°C W.O.G.non-shock] | 1.6MPa(16bar) |
| 饱和蒸气 [Saturated steam] | 1.0MPa(10bar) |

材质 [Materials]

| 零件 [Parts] | 材质 [Material] |
|-------------|---------------------------------|
| 阀体 [Body] | 青铜CAC406 [Cast bronze CAC406] |
| 阀盖 [Bonnet] | 青铜C3604BD [Cast bronze C3604BD] |
| 阀瓣 [Disc] | 丁腈橡胶 [NBR] |

尺寸 [Dimensions]

(mm)

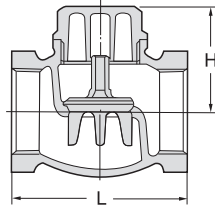
| DN | mm | 15 | 20 | 25 | 32 | 40 | 50 |
|----|------|---------------|---------------|----|----------------|----------------|----|
| | inch | $\frac{1}{2}$ | $\frac{3}{4}$ | 1 | $1\frac{1}{4}$ | $1\frac{1}{2}$ | 2 |
| L | | 53 | 59 | 67 | 78 | 84 | 98 |
| H | | 28 | 34 | 41 | 50 | 57 | 70 |

PN20

青铜丝扣升降式止回阀

Cast Bronze Lift Check Valve Threaded ends to BS21

F



■ 最高工作压力 [Maximum Working Pressure]

| | |
|--|---------------|
| 120℃压力变动小的水·油·气 [120℃ W.O.G.non-shock] | 2.1MPa(21bar) |
| 饱和蒸气 [Saturated steam] | 1.0MPa(10bar) |

■ 材质 [Materials]

| 零件 [Parts] | 材质 [Material] |
|------------|---|
| 阀体 [Body] | 青铜CAC [Cast bronze CAC] |
| 阀盖 [Cap] | 黄铜(DN10~DN50) / 青铜(DN65以上) [Forged Brass(DN10~DN50) / Cast bronze(DN65 and over)] |
| 闸瓣 [Disc] | 青铜 [Cast bronze] |

■ 尺寸 [Dimensions]

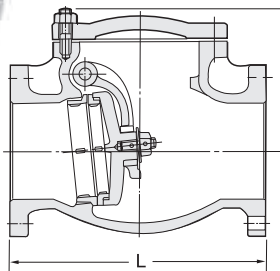
(mm)

| DN | mm | 10 | 15 | 20 | 25 | 32 | 40 | 50 | 65 | 80 |
|----|------|---------------|---------------|---------------|----|----------------|----------------|-----|----------------|-----|
| | inch | $\frac{3}{8}$ | $\frac{1}{2}$ | $\frac{3}{4}$ | 1 | $1\frac{1}{4}$ | $1\frac{1}{2}$ | 2 | $2\frac{1}{2}$ | 3 |
| L | | 44 | 53 | 65 | 77 | 85 | 100 | 119 | 139 | 158 |
| H | | 26 | 28 | 34 | 42 | 50 | 56 | 67 | 79 | 91 |

JIS 10K

铸铁法兰旋启式止回阀

Cast Iron Swing Check Valve Flanged ends

10FCO
10FCOS
10FCOU

■ 最高工作压力 [Maximum Working Pressure]

| | |
|-------------------------------------|--|
| 120℃均衡水流 [120℃ Non-shock water] | 1.37MPa(13.7bar) DN350~.....0.98MPa(9.8bar) |
| 120℃水, 油, 空气 [120℃ Water, Oil, Air] | 0.98MPa(9.8bar) DN350~.....0.86MPa(8.6bar) |
| 120℃气 [120℃ Gas] | 0.20MPa (2.0bar) |
| 饱和蒸气 [Saturated steam] | 0.69MPa (6.9bar) |

■ 材质 [Materials]

| 零件 [Parts] | 材质 [Material] |
|-------------------------|--|
| 阀体 [Body] | 灰铸铁FC200 [Cast iron FC200] |
| 阀盖 [Cover] | 灰铸铁FC200 [Cast iron FC200] |
| 闸瓣 [Disc] | 青铜*1 / 不锈钢*2 (DN40~DN100) / 灰铸铁 (DN125以上) [Cast bronze*1 / Stainless steel*2 (DN40~DN100) / Cast iron(DN125 and over)] |
| 销轴 [Hinge pin] | 黄铜*1/不锈钢*2 [Forged brass*1/Stainless steel*2] |
| 垫片 [Gasket] | 非石棉 [Non asbestos] |
| 阀体防漏垫圈 [Body seat ring] | 青铜*1/不锈钢*2 [Cast bronze*1/Stainless steel*2] |
| 阀座防漏垫圈 [Disc seat ring] | 青铜*1/不锈钢*2 [Cast bronze*1/Stainless steel*2] |

*1 10FCO *2 10FCOS=13%Cr/10FCOU=304型(304Type)

■ 尺寸 [Dimensions]

(mm)

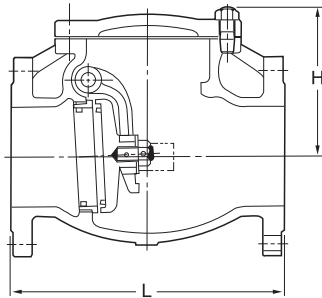
| DN | mm | 40 | 50 | 65 | 80 | 100 | 125 | 150 | 200 | 250 | 300 | 350 |
|----|------|----------------|-----|----------------|-----|-----|-----|-----|-----|-----|-----|-----|
| | inch | $1\frac{1}{2}$ | 2 | $2\frac{1}{2}$ | 3 | 4 | 5 | 6 | 8 | 10 | 12 | 14 |
| L | | 190 | 200 | 220 | 240 | 290 | 360 | 410 | 500 | 620 | 700 | 787 |
| H | | 106 | 111 | 121 | 145 | 165 | 207 | 225 | 268 | 315 | 356 | 381 |

PN16

铸铁法兰旋启式止回阀

Cast Iron Swing Check Valve Flanged ends to BS NE 1092-2 PN16

16FCO



■ 最高工作压力 [Maximum Working Pressure]

| | |
|---|---------------|
| 120℃压力变动小的水·油·气 [120°C W.O.G.non-shock] | 1.6MPa(16bar) |
| 饱和蒸气 [Saturated steam] | 0.9MPa(9bar) |

■ 材质 [Materials]

| 零件 [Parts] | 材质 [Material] |
|-------------------------|--|
| 阀体 [Body] | 灰铸铁FC200 [Cast iron FC200] |
| 阀盖 [Cover] | 灰铸铁FC200 [Cast iron FC200] |
| 阀瓣 [Disc] | 青铜(DN50~DN100)/CAC406 灰铸铁(DN125以上)FC200 [Cast bronze(DN50~DN100)/ Cast iron(DN125 and over) FC200] |
| 销轴 [Hinge pin] | 黄铜 [Forged Brass] |
| 垫片 [Gasket] | 非石棉 [Non asbestos] |
| 阀体防漏垫圈 [Body seat ring] | 青铜 [Cast bronze] |
| 阀座防漏垫圈 [Disc seat ring] | 青铜 [Cast bronze] |

■ 结构长度 [Face to face] :BS 5153

■ 连接 [Connection] :BS EN 1092-2 PN16

■ 尺寸 [Dimensions]

(mm)

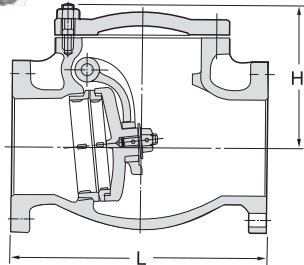
| DN | mm | 50 | 65 | 80 | 100 | 125 | 150 | 200 |
|----|------|-----|-----|-----|-----|-----|-----|-----|
| | inch | 2 | 2½ | 3 | 4 | 5 | 6 | 8 |
| L | | 203 | 216 | 241 | 292 | 330 | 356 | 495 |
| H | | 111 | 121 | 145 | 165 | 207 | 225 | 268 |

PN16

铸铁法兰旋启式止回阀

Cast Iron Swing Check Valve Flanged ends

125FCO
125FCOS



■ 最高工作压力 [Maximum Working Pressure]

| | |
|---|---------------|
| 120℃压力变动小的水·油·气 [120°C W.O.G.non-shock] | 1.6MPa(16bar) |
| 饱和蒸气 [Saturated steam] | 0.9MPa(9bar) |

■ 材质 [Materials]

| 零件 [Parts] | 材质 [Material] |
|-------------------------|---|
| 阀体 [Body] | 灰铸铁A126-B [Cast iron A126-B] |
| 阀盖 [Cover] | 灰铸铁A126-B [Cast iron A126-B] |
| 阀瓣 [Disc] | 青铜*1/ 13%Cr不锈钢*2 (DN50~DN100)/ 灰铸铁 (DN125以上) [Cast bronze*1/ 13%CrStainless steel*2(DN50~DN100)/ Cast iron(DN125 and over)] |
| 销轴 [Hinge pin] | 黄铜*1/ 13%Cr不锈钢*2 [Forged brass*1/ 13%CrStainless steel*2] |
| 垫片 [Gasket] | 非石棉 [Non asbestos] |
| 阀体防漏垫圈 [Body seat ring] | 青铜*1/ 13%Cr不锈钢*2 [Cast bronze*1/ 13%CrStainless steel*2] |
| 阀座防漏垫圈 [Disc seat ring] | 青铜*1/ 13%Cr不锈钢*2 [Cast bronze*1/ 13%CrStainless steel*2] |

*1 125FCO
*2 125FCOS

■ 尺寸 [Dimensions]

(mm)

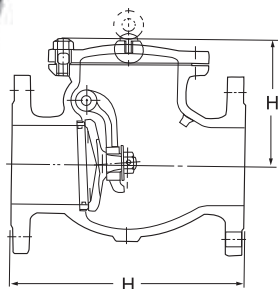
| DN | mm | 50 | 65 | 80 | 100 | 125 | 150 | 200 | 250 |
|----|------|-----|-----|-----|-----|-----|-----|-----|-----|
| | inch | 2 | 2½ | 3 | 4 | 5 | 6 | 8 | 10 |
| L | | 203 | 216 | 241 | 292 | 330 | 356 | 495 | 622 |
| H | | 111 | 121 | 145 | 165 | 207 | 225 | 268 | 315 |

ANSI Class 150
〔PN16〕

球墨铸铁法兰旋启式止回阀

Ductile Iron Swing Check Valve Flanged ends

150SRB



■ 最高工作压力〔Maximum Working Pressure〕

| | | |
|----------------|-----------------|------------------|
| -5℃~38℃水, 油, 气 | 〔-5℃~38℃W.O.G.〕 | 1.73MPa(17.3bar) |
| 149℃水, 油, 气 | 〔149℃W.O.G.〕 | 1.48MPa(14.8bar) |
| 260℃水, 油, 气 | 〔260℃W.O.G.〕 | 1.18MPa(11.8bar) |
| 343℃水, 油, 气 | 〔343℃W.O.G.〕 | 0.87MPa(8.7bar) |

■ 材质〔Materials〕

| 零件〔Parts〕 | 材质〔Material〕 | 〔Material〕 |
|------------------------|--------------------------------------|--|
| 阀体〔Body〕 | 球墨铸铁FCD-S | 〔Ductile iron FCD-S〕 |
| 阀盖〔Cover〕 | 球墨铸铁FCD-S | 〔Ductile iron FCD-S〕 |
| 闸瓣〔Disc〕 | 13%Cr不锈钢(DN40~DN150)/ 铸铁(DN200以上) | 〔13%Cr Stainless steel(DN40~DN150)/ Cast steel(DN200 and over)〕 |
| 销轴〔Hinge pin〕 | 13%Cr不锈钢 | 〔13%Cr Stainless steel〕 |
| 垫片〔Gasket〕 | 非石棉 | 〔Non asbestos〕 |
| 阀体防漏垫圈〔Body seat ring〕 | 13%Cr不锈钢 | 〔13%Cr Stainless steel〕 |

■ 尺寸〔Dimensions〕

(mm)

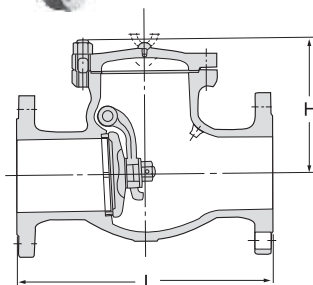
| DN | mm | 40 | 50 | 65 | 80 | 100 | 125 | 150 | 200 | 250 | 300 |
|----|------|-----|-----|-----|-----|-----|-----|-----|-----|-----|-----|
| | inch | 1½ | 2 | 2½ | 3 | 4 | 5 | 6 | 8 | 10 | 12 |
| L | | 165 | 203 | 216 | 241 | 292 | 330 | 356 | 495 | 622 | 698 |
| H | | 115 | 120 | 130 | 145 | 165 | 200 | 220 | 260 | 320 | 360 |

Class 300
〔PN25〕

球墨铸铁法兰旋启式止回阀

Ductile Iron Swing Check Valve Flanged ends

300SOB



■ 最高工作压力〔Maximum Working Pressure〕

| | | |
|----------------|-----------------|------------------|
| -5℃~38℃水, 油, 气 | 〔-5℃~38℃W.O.G.〕 | 2.94MPa(29.4bar) |
| 149℃水, 油, 气 | 〔149℃W.O.G.〕 | 2.60MPa(26.0bar) |
| 260℃水, 油, 气 | 〔260℃W.O.G.〕 | 2.28MPa(22.8bar) |
| 350℃水, 油, 气 | 〔350℃W.O.G.〕 | 2.04MPa(20.4bar) |

■ 材质〔Materials〕

| 零件〔Parts〕 | 材质〔Material〕 | 〔Material〕 |
|------------------------|--------------------------------------|--|
| 阀体〔Body〕 | 球墨铸铁FCD-S | 〔Ductile iron FCD-S〕 |
| 阀盖〔Cover〕 | 球墨铸铁FCD-S | 〔Ductile iron FCD-S〕 |
| 闸瓣〔Disc〕 | 13%Cr不锈钢(DN50~DN150)/ 铸铁(DN200以上) | 〔13%Cr Stainless steel(DN50~DN150)/ Cast steel(DN200 and over)〕 |
| 销轴〔Hinge pin〕 | 13%Cr不锈钢 | 〔13%Cr Stainless steel〕 |
| 垫片〔Gasket〕 | 非石棉 | 〔Non asbestos〕 |
| 阀体防漏垫圈〔Body seat ring〕 | 13%Cr不锈钢 | 〔13%Cr Stainless steel〕 |

■ 尺寸〔Dimensions〕

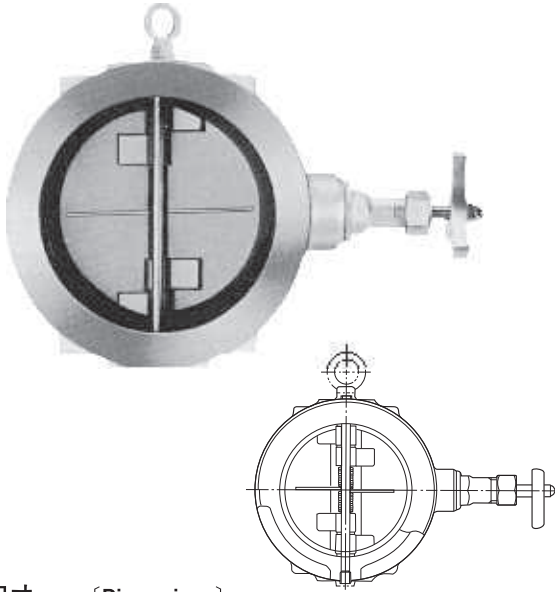
(mm)

| DN | mm | 50 | 65 | 80 | 100 | 125 | 150 | 200 | 250 | 300 |
|----|------|-----|-----|-----|-----|-----|-----|-----|-----|-----|
| | inch | 2 | 2½ | 3 | 4 | 5 | 6 | 8 | 10 | 12 |
| L | | 267 | 292 | 318 | 356 | 400 | 444 | 533 | 622 | 711 |
| H | | 135 | 145 | 160 | 185 | 220 | 240 | 275 | 335 | 370 |

PN16

铸铁对夹式止回阀 Cast Iron Wafer Check valve

10FW



■ 最高工作压力 [Maximum Working Pressure]

| | | |
|------------|-----------------------|---------------|
| 80℃均衡水流 | [80℃ non-shock water] | 1.6MPa(16bar) |
| 80℃水, 油, 气 | [80℃ W.O.G.] | 1.0MPa(10bar) |

■ 材质 [Materials]

| 零件 [Parts] | 材质 [Material] |
|--------------------|---|
| 阀体 [Body] | 灰铸铁+丁腈橡胶FC200+NBR [Cast iron+NBR FC200+NBR] |
| 阀盖 [Bonnet] | 球墨铸铁FCD-S [Ductile iron FCD-S] |
| 阀杆 [Stem] | 13%Cr不锈钢SUS403 [13%Cr Stainless steel SUS403] |
| 闸瓣 [Disc] | 青铜BC6 [Cast bronze BC6] |
| 填料 [Gland packing] | 非石棉 [Non asbestos] |
| 垫片 [Gasket] | 铜 [Copper] |
| 手轮 [Handwheel] | 锌(压铸) [Zinc die-cast] |

■ 尺寸 [Dimensions]

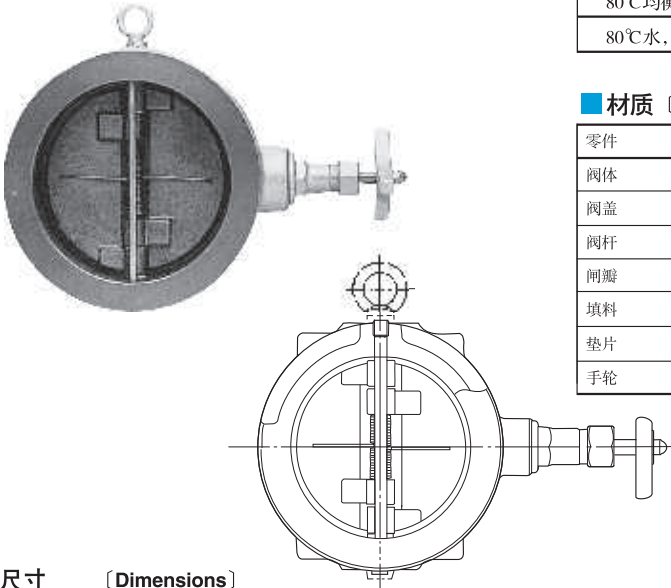
| DN | mm | 50 | 65 | 80 | 100 | 125 | 150 | 200 | 250 | 300 | 350 | 400 | 450 |
|----|------|-----|-----|-----|-----|-----|-----|-----|-----|-----|-----|-----|-----|
| | inch | 2 | 2½ | 3 | 4 | 5 | 6 | 8 | 10 | 12 | 14 | 16 | 18 |
| L | | 54 | 54 | 57 | 64 | 70 | 76 | 95 | 108 | 144 | 184 | 191 | 203 |
| H | | 160 | 166 | 172 | 185 | 198 | 240 | 266 | 292 | 317 | 337 | 365 | 391 |
| D | | 101 | 121 | 131 | 156 | 187 | 217 | 267 | 330 | 375 | 420 | 483 | 538 |

(mm)

20K

球墨铸铁对夹式止回阀 Ductile Iron Wafer Check Valve

20SW



■ 最高工作压力 [Maximum Working Pressure]

| | | |
|------------|-----------------------|---------------|
| 80℃均衡水流 | [80℃ non-shock water] | 2.8MPa(28bar) |
| 80℃水, 油, 气 | [80℃ W.O.G.] | 2.0MPa(20bar) |

■ 材质 [Materials]

| 零件 [Parts] | 材质 [Material] |
|--------------------|---|
| 阀体 [Body] | 灰铸铁+丁腈橡胶FCD-S+NBR [Cast iron+NBR FCD-S+NBR] |
| 阀盖 [Bonnet] | 球墨铸铁FCD-S [Ductile iron FCD-S] |
| 阀杆 [Stem] | 13%Cr不锈钢SUS403 [13%Cr Stainless steel SUS403] |
| 闸瓣 [Disc] | 青铜CAC406 [Cast bronze CAC406] |
| 填料 [Gland packing] | 非石棉 [Non asbestos] |
| 垫片 [Gasket] | 铜 [Copper] |
| 手轮 [Handwheel] | 锌(压铸) [Zinc die-cast] |

■ 尺寸 [Dimensions]

| DN | mm | 50 | 65 | 80 | 100 | 125 | 150 | 200 | 250 | 300 |
|----|------|-----|-----|-----|-----|-----|-----|-----|-----|-----|
| | inch | 2 | 2½ | 3 | 4 | 5 | 6 | 8 | 10 | 12 |
| L | | 54 | 60 | 67 | 67 | 83 | 95 | 127 | 140 | 181 |
| H | | 153 | 166 | 173 | 185 | 198 | 241 | 266 | 292 | 318 |
| D | | 101 | 121 | 137 | 162 | 200 | 235 | 280 | 353 | 403 |

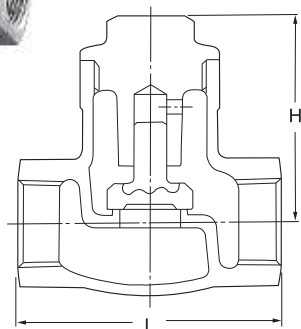
(mm)

PN16

不锈钢丝扣升降式止回阀

Stainless Steel Lift Check Valve Threaded ends to BS21

UN



■ 最高工作压力 [Maximum Working Pressure]

| | |
|--|---------------|
| 120℃压力变动小的水·油·气 [120℃ W.O.G.non-shock] | 1.6MPa(16bar) |
| 饱和蒸气 [Saturated steam] | 0.9MPa(9bar) |

■ 材质 [Materials]

| 零件 [Parts] | 材质 [Material] |
|------------|-----------------------------------|
| 阀体 [Body] | 304型不锈钢 [304Type Stainless steel] |
| 阀盖 [Cap] | 304型不锈钢 [304Type Stainless steel] |
| 闸瓣 [Disc] | 304型不锈钢 [304Type Stainless steel] |

■ 尺寸 [Dimensions]

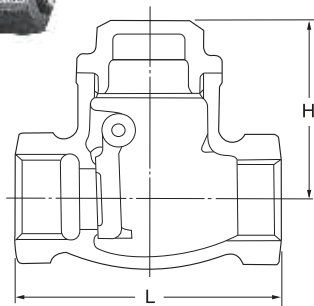
(mm)

| DN | mm | 10 | 15 | 20 | 25 | 32 | 40 | 50 |
|----|------|---------------|---------------|---------------|----|----------------|----------------|-----|
| | inch | $\frac{3}{8}$ | $\frac{1}{2}$ | $\frac{3}{4}$ | 1 | $1\frac{1}{4}$ | $1\frac{1}{2}$ | 2 |
| L | | 55 | 65 | 80 | 90 | 105 | 120 | 140 |
| H | | 50 | 53 | 54 | 62 | 66 | 76 | 85 |

PN16

不锈钢丝扣旋启式止回阀

Stainless Steel Swing Check Valve Threaded ends to BS21

UO
UOM

■ 最高工作压力 [Maximum Working Pressure]

| | |
|--|---------------|
| 120℃压力变动小的水·油·气 [120℃ W.O.G.non-shock] | 1.6MPa(16bar) |
| 饱和蒸气 [Saturated steam] | 0.9MPa(9bar) |

■ 材质 [Materials]

| 零件 [Parts] | 材质 [Material] |
|----------------|---------------------------------------|
| 阀体 [Body] | 不锈钢* [Stainless steel] * |
| 阀盖 [Cap] | 不锈钢* [Stainless steel] * |
| 闸瓣 [Disc] | 不锈钢* [Stainless steel] * |
| 销轴 [Hinge pin] | 304型不锈钢* [304 Type Stainless steel] * |

*UO=304型 (304Type)/UOM=316型(316Type)

■ 尺寸 [Dimensions]

(mm)

| DN | mm | 15 | 20 | 25 | 32 | 40 | 50 | 65 | 80 |
|----|------|---------------|---------------|----|----------------|----------------|-----|----------------|-----|
| | inch | $\frac{1}{2}$ | $\frac{3}{4}$ | 1 | $1\frac{1}{4}$ | $1\frac{1}{2}$ | 2 | $2\frac{1}{2}$ | 3 |
| L | | 65 | 80 | 90 | 105 | 120 | 140 | 180 | 200 |
| H | | 45 | 55 | 61 | 71 | 72 | 81 | 93 | 104 |

KITZ 球墨铸铁阀门简介 [Ductile Iron Valves Service Recommendation]

球墨铸铁阀门与其它普通铸铁阀门相比、具有高度抗冲击力的机械性能、广泛的适用温度范围和较好的伸拉强度和延伸率的特点。

它有如下的广泛使用范围，并且它有时还能代替铸钢阀门使用。

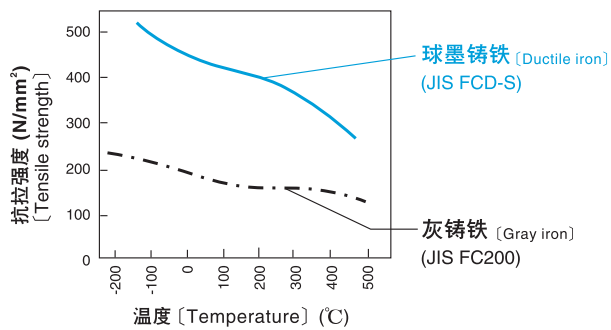
- 蒸汽供给设备
- 空调及采暖设备
- 普通高压气设备
- 有毒气体装置

For higher mechanical shock resistance under high or low temperature, and better tensile strength and elongation characteristics than those of ordinary gray iron valves, ductile iron valves are highly recommended for the following services, sometimes, in place of cast steel valves:

- Piping for steam supply
- Air conditioning and heating systems
- High pressure gaseous service in general
- Piping for poisonous gas service

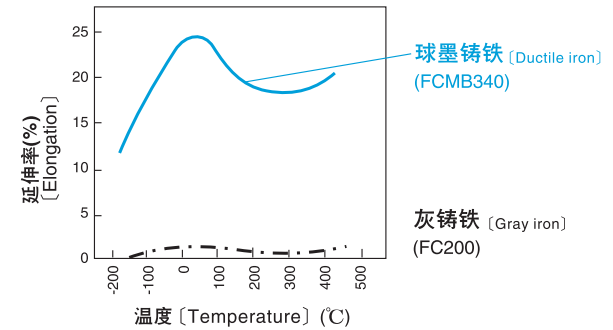
抗拉强度

[Tensile strength]



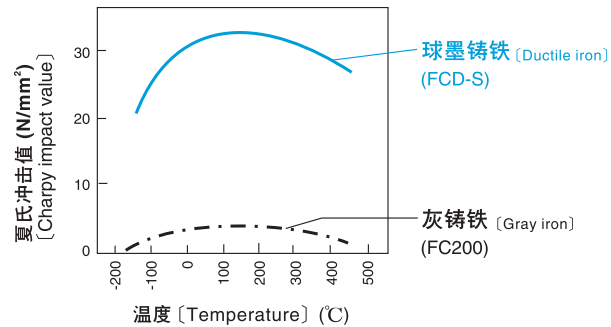
延伸率

[Elongation]



夏氏冲击值

[Charpy impact value]



屈服强度

[Yield strength]

