

闸阀

Gate Valve

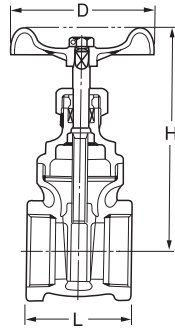


PN16

青铜丝扣闸阀 (暗杆式)

Cast Bronze Gate Valve (Non-rising stem) Threaded ends to BS21

S



■ 最高工作压力 [Maximum Working Pressure]

120℃压力变动小的水·油·气 [120℃ W.O.G.non-shock]	1.6MPa(16bar)
饱和蒸气 [Saturated steam]	0.9MPa (9bar)

■ 材质 [Materials]

零件 [Parts]	材质 [Material]
阀体 [Body]	青铜CAC [Cast bronze CAC]
阀盖 [Bonnet]	黄铜C3771BE [Forged Brass C3771BE]
阀杆 [Stem]	K-合金 [K-Metal]
闸板 [Disc]	黄铜C3771BE [Forged Brass C3771BE]
填料 [Gland packing]	强化聚四氟乙烯 [Aramid fiber PTFE]
手轮 [Handwheel]	锌 (压铸) (DN10 ~ DN32) / 铝 (压铸) (Dn40以上) [Zinc die-cast(DN10 ~ DN32)/ Aluminum die-cast(DN40 and over)]

■ 尺寸 [Dimensions]

(mm)

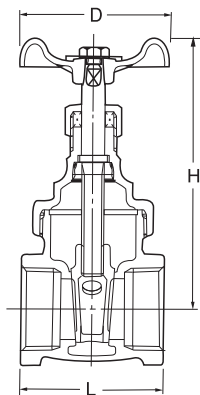
DN	mm	10	15	20	25	32	40	50	65	80
	inch	3/8	1/2	3/4	1	1 1/4	1 1/2	2	2 1/2	3
L		38	42	47	50	60	63	72	80	90
H		75	75	86	97	117	126	154	167	200
D		50	50	55	60	70	80	90	100	115

PN16

青铜丝扣闸阀 (暗杆式)

Cast Bronze Gate Valve (Non-rising stem) Threaded ends to BS21

H



■ 最高工作压力 [Maximum Working Pressure]

120℃压力变动小的水·油·气 [120℃ W.O.G.non-shock]	1.6MPa(16bar)
饱和蒸气 [Saturated steam]	0.9MPa (9bar)

■ 材质 [Materials]

零件 [Parts]	材质 [Material]
阀体 [Body]	青铜CAC406 [Cast bronze CAC406]
阀盖 [Bonnet]	黄铜C3771BE [Forged Brass C3771BE]
阀杆 [Stem]	K-合金 [K-Metal]
闸板 [Disc]	K-合金 (DN10, DN15) / 青铜 (Dn20以上) CAC406 [K-Metal(DN10 and Dn15)/ Cast bronze(DN20 and over)CAC406]
填料 [Gland packing]	强化聚四氟乙烯 [Aramid fiber PTFE]
手轮 [Handwheel]	锌 (压铸) (DN10 ~ DN32) / 铝 (压铸) (DN40以上) [Zinc die-cast(DN10 ~ DN32)/ Aluminum die-cast(DN40 and over)]

■ 尺寸 [Dimensions]

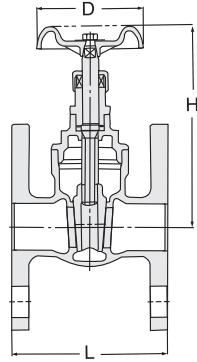
(mm)

DN	mm	10	15	20	25	32	40	50	65	80	100
	inch	3/8	1/2	3/4	1	1 1/4	1 1/2	2	2 1/2	3	4
L		42	45	50	57	61	67	74	90	100	121
H		74	80	90	105	118	135	159	202	223	280
D		50	50	55	60	70	80	90	115	135	155

PN16

青铜法兰闸阀 (暗杆式)

Cast Bronze Gate Valve (Non-rising stem) Flanged ends

EB
EBH

■ 最高工作压力 [Maximum Working Pressure]

120℃压力变动小的水·油·气 [120℃ W.O.G.non-shock]	1.6MPa(16bar)
饱和蒸气 [Saturated steam]	1.0MPa(10bar)

■ 材质 [Materials]

零件 [Parts]	材质 [Material]
阀体 [Body]	青铜CAC [Cast bronze CAC]
阀盖 [Bonnet]	黄铜(DN15~DN50)/C3771BE 青铜(DN65以上)CAC [Forged brass(DN20~DN50)/C3771BE Cast bronze(DN65 and over)CAC]
阀杆 [Stem]	K-合金(DN15~DN100)/ 黄铜(DN125以上) [K-Metal(DN20~DN100)/ Forged brass(DN125 and over)]
闸板 [Disc]	青铜CAC [Cast bronze CAC]
填料 [Gland packing]	强化聚四氟乙烯 [Aramid fiber PTFE]
手轮 [Handwheel]	锌(压铸)(DN15~DN25)/ 铝(压铸)(DN30~DN80)/ 球墨铸铁(DN100以上) [Zinc die-cast(DN15~DN25)/ Aluminum die-cast(DN30~DN80)/ Ductile iron(DN100 and over)]

■ 尺寸 [Dimensions]

(mm)

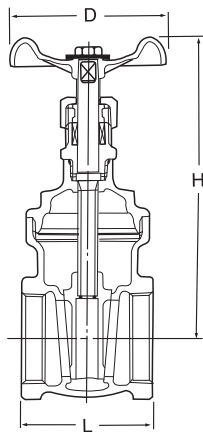
DN	mm	15	20	25	32	40	50	65	80	100	125	150
	inch	1/2	3/4	1	1 1/4	1 1/2	2	2 1/2	3	4	5	6
L		75	80	95	110	120	140	165	190	230	190	210
H		96	111	122	142	165	197	225	264	309	381	427
D		55	60	70	80	90	100	115	155	225	225	250

PN20

青铜丝扣闸阀 (暗杆式)

Cast Bronze Gate Valve (Non-rising stem) Threaded ends to BS21

E



■ 最高工作压力 [Maximum Working Pressure]

120℃压力变动小的水·油·气 [120℃ W.O.G.non-shock]	2.1MPa(21bar)
饱和蒸气 [Saturated steam]	1.0MPa(10bar)

■ 材质 [Materials]

零件 [Parts]	材质 [Material]
阀体 [Body]	青铜CAC406 [Cast bronze CAC406]
阀盖 [Bonnet]	黄铜(DN10~DN50)/C3771BE 青铜(DN65以上)CAC [Forged brass(DN10~DN50)/ Cast bronze(DN65 and over)CAC]
阀杆 [Stem]	K-合金 [K-Metal]
闸板 [Disc]	青铜CAC [K-Metal CAC]
填料 [Gland packing]	强化聚四氟乙烯 [Aramid fiber PTFE]
手轮 [Handwheel]	锌(压铸)(DN10~DN25)/ 铝(压铸)(DN32以上) [Zinc die-cast(DN10~DN25)/ Aluminum die-cast(DN32 and over)]

■ 尺寸 [Dimensions]

(mm)

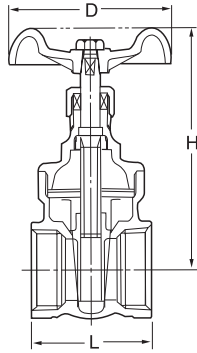
DN	mm	10	15	20	25	32	40	50	65	80
	inch	3/8	1/2	3/4	1	1 1/4	1 1/2	2	2 1/2	3
L		43	48	53	62	69	75	86	105	116
H		86	96	111	122	141	164	197	225	261
D		50	55	60	70	80	90	100	115	135

PN16

黄铜丝扣闸阀 (暗杆式)

Forged Brass Gate Valve (Non-rising stem) Threaded ends to BS21

FR



■ 最高工作压力 [Maximum Working Pressure]

120℃压力变动小的水·油·气 [120°C W.O.G.non-shock]	1.6MPa(16bar)
饱和蒸气 [Saturated steam]	0.9MPa (9bar)

■ 材质 [Materials]

零件 [Parts]	材质 [Material]
阀体 [Body]	黄铜 C3771BE [Forged Brass C3771BE]
阀盖 [Bonnet]	黄铜 C3771BE [Forged Brass C3771BE]
阀杆 [Stem]	K-合金 [K-Metal]
闸板 [Disc]	黄铜 C3771BE [Forged Brass C3771BE]
填料 [Gland packing]	强化聚四氟乙烯 [Aramid fiber PTFE]
手轮 [Handwheel]	锌 (压铸) (DN8 ~ DN32)/ 铝 (压铸) (DN40以上) [Zinc die-cast(DN8 ~ DN32)/ Aluminum die-cast(DN40 and over)]

■ 尺寸 [Dimensions]

(mm)

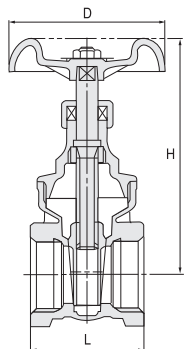
DN	mm	10	15	20	25	32	40	50
	inch	3/8	1/2	3/4	1	1 1/4	1 1/2	2
L		38	42	47	50	60	63	72
H		75	75	86	97	117	126	154
D		50	50	55	60	70	80	90

PN16

黄铜丝扣闸阀 (暗杆式)

Forged Brass Gate Valve (Non-rising stem) Threaded ends to BS21

FH



■ 最高工作压力 [Maximum Working Pressure]

120℃压力变动小的水·油·气 [120°C W.O.G.non-shock]	1.6MPa(16bar)
饱和蒸气 [Saturated steam]	0.9MPa (9bar)

■ 材质 [Materials]

零件 [Parts]	材质 [Material]
阀体 [Body]	黄铜 C3771BE [Forged brass C3771BE]
阀盖 [Bonnet]	黄铜 C3771BE [Forged Brass C3771BE]
阀杆 [Stem]	K-合金 [K-Metal]
闸板 [Disc]	黄铜 C3771BE [Forged brass C3771BE]
填料 [Gland packing]	强化聚四氟乙烯 [Aramid fiber PTFE]
手轮 [Handwheel]	锌 (压铸) (DN10 ~ DN32)/ 铝 (压铸) (DN40以上) [Zinc die-cast(DN10 ~ DN32)/ Aluminum die-cast(DN40 and over)]

■ 尺寸 [Dimensions]

(mm)

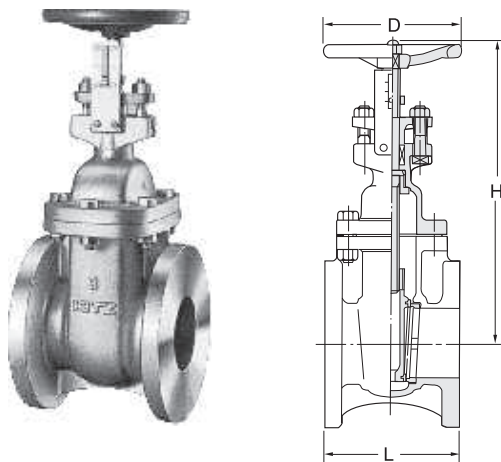
DN	mm	8	10	15	20	25	32	40	50	65	80
	inch	1/4	3/8	1/2	3/4	1	1 1/4	1 1/2	2	2 1/2	3
L		35	38	42	47	50	60	63	72	82	92
H		70	73	73	87	97	118	126	154	187	205
D		50	50	50	55	60	70	80	90	100	115

PN16

铸铁法兰闸阀 (暗杆式连开闭指示器)

Cast Iron Gate Valve (Non-rising stem with Indicator) Flanged ends

125FCHI



■ 最高工作压力 [Maximum Working Pressure]

120℃压力变动小的水·油·气 [120℃ W.O.G.non-shock]	1.6MPa(16bar)
饱和蒸气 [Saturated steam]	0.9MPa(9bar)

■ 材质 [Materials]

零件 [Parts]	材质 [Material]	
阀体 [Body]	灰铸铁 A126-C	[Cast iron A126-C]
阀盖 [Bonnet]	灰铸铁 A126-C	[Cast iron A126-C]
阀杆 [Stem]	黄铜	[Forged brass]
闸板 [Disc]	青铜(DN40)CAC 灰铸铁(DN50以上) A126-C	[Cast bronze(DN40)/ CAC Cast iron(DN50 and over) A126-C]
填料 [Gland packing]	非石棉	[Non asbestos]
垫片 [Gasket]	非石棉	[Non asbestos]
阀体防漏垫圈 [Body seat ring]	青铜	[Cast bronze]
阀座防漏垫圈 [Disc seat ring]	青铜	[Cast bronze]
手轮 [Handwheel]	灰铸铁	[Cast iron]

■ 尺寸 [Dimensions]

(mm)

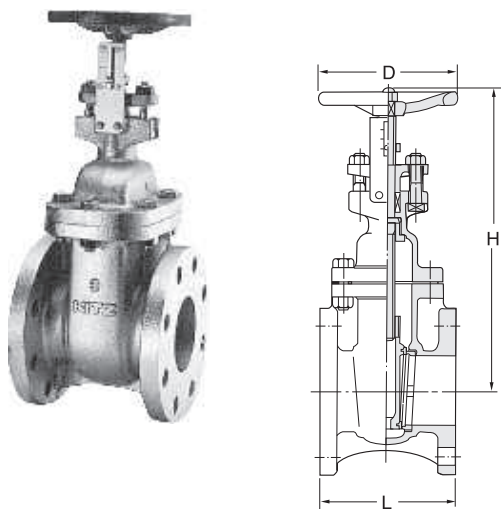
DN	mm	40	50	65	80	100	125	150	200
	inch	1½	2	2½	3	4	5	6	8
L		140	146	159	165	171	190	210	241
H		210	250	285	350	400	465	515	630
D		140	140	160	160	180	225	225	300

10K

铸铁法兰闸阀 (暗杆式连开闭指示器)

Cast Iron Gate Valve (Non-rising stem with Indicator) Flanged ends

10FCHI



■ 最高工作压力 [Maximum Working Pressure]

120℃均衡水流 [120℃ Non-shock water]	1.0MPa(10bar)
120℃水,油,气 [120℃ W.O.G.]	0.9MPa(9bar)
饱和蒸气 [Saturated steam]	0.69MPa(6.9bar)

■ 材质 [Materials]

零件 [Parts]	材质 [Material]	
阀体 [Body]	灰铸铁 FC300	[Cast iron FC300]
阀盖 [Bonnet]	灰铸铁 FC300	[Cast iron FC300]
阀杆 [Stem]	黄铜	[Forged brass]
闸板 [Disc]	青铜(DN40)CAC 灰铸铁(DN50以上) FC300	[Cast bronze(DN40)/ CAC Cast iron(DN50 and over)]
填料 [Gland packing]	非石棉	[Non asbestos]
垫片 [Gasket]	非石棉	[Non asbestos]
阀体防漏垫圈 [Body seat ring]	青铜	[Cast bronze]
阀座防漏垫圈 [Disc seat ring]	青铜	[Cast bronze]
手轮 [Handwheel]	灰铸铁	[Cast iron]

■ 尺寸 [Dimensions]

(mm)

DN	mm	40	50	65	80	100	125	150	200	250	300
	inch	1½	2	2½	3	4	5	6	8	10	12
L		140	146	159	165	171	190	210	241	273	305
H		210	250	285	350	400	460	515	635	760	870
D		140	140	160	160	180	225	225	300	350	350