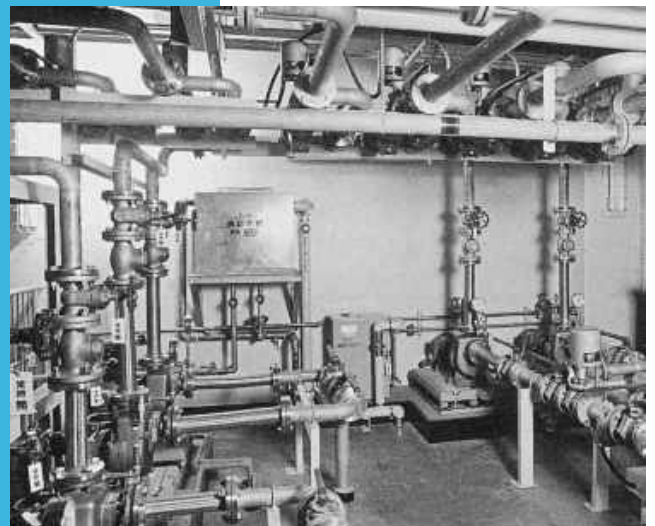


球阀

Ball Valve

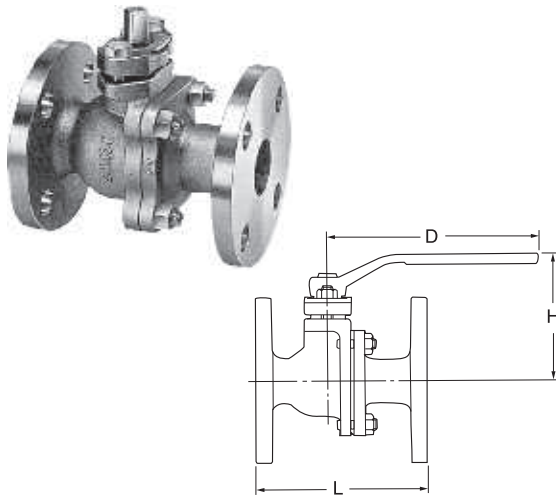


10K

青铜法兰全通径球阀

Cast Bronze Ball Valve Flanged ends, Full bore

TB



■ 最高工作压力 [Maximum Working Pressure]

压力变动小的水·油·气 [W.O.G. non-shock]	1.37MPa(13.7bar)
150℃水, 油, 气 [150℃ W.O.G.]	0.69MPa(6.9bar)

■ 材质 [Materials]

零件 [Parts]	材质 [Material]
阀体 [Body]	青铜CAC [Cast bronze CAC]
阀盖 [Bonnet]	青铜CAC [Cast bronze CAC]
阀杆 [Stem]	K-合金 [K-Metall]
球心 [Ball]	黄铜(DN15 ~ DN80)/ 304型不锈钢(DN100) [Forged brass(DN15 ~ DN80)/ 304Type Stainless steel(DN100)]
密封座 [Ball seat]	聚四氟乙烯 [PTFE]
填料 [Gland packing]	聚四氟乙烯 [PTFE]
手柄 [Handle]	球墨铸铁 [Ductile iron]

■ 尺寸 [Dimensions]

(mm)

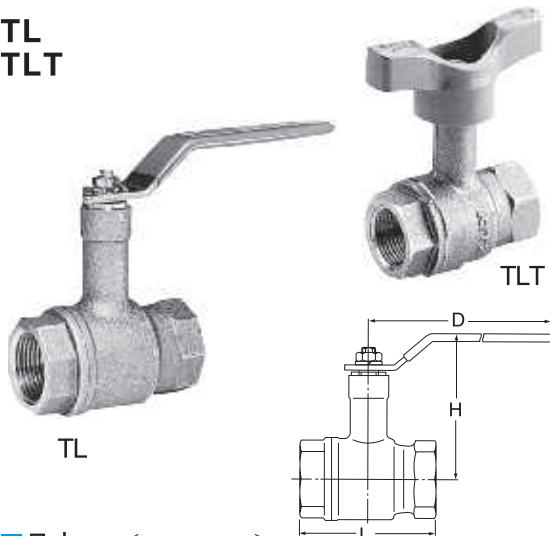
DN	mm	15	20	25	32	40	50	65	80	100
	inch	1/2	3/4	1	1 1/4	1 1/2	2	2 1/2	3	4
d 口径(Bore)		15	20	25	32	40	50	65	80	100
L		110	120	130	140	165	180	190	200	230
H		85	88	95	100	115	122	153	162	190
D		130	130	160	160	230	230	400	400	460

400

青铜丝扣缩径球阀

Cast Bronze Ball Valve Long Neck type, Threaded ends to BS21, Reduced bore

TL
TLT



■ 最高工作压力 [Maximum Working Pressure]

压力变动小的水·油·气 [W.O.G. non-shock]	2.75MPa(27.5bar)
TL 150℃水, 油, 气 [150℃ W.O.G.]	0.7 Mpa(7.0bar)
TLT 80℃水, 油, 气 [80℃ W.O.G.]	1.96MPa(1.96bar)

■ 材质 [Materials]

零件 [Parts]	材质 [Material]
阀体 [Body]	青铜CAC406 [Cast bronze CAC406]
阀盖 [Bonnet]	青铜CAC406 [Cast bronze CAC406]
阀杆 [Stem]	K-合金 [K-Metall]
球心 [Ball]	304不锈钢 [Stainless steel 304]
密封座 [Ball seat]	聚四氟乙烯 [PTFE]
O型圈 [O-ring]	橡胶 [FPM]
手柄 [Handle]	TL. 不锈钢 TLT. 锌(压铸) [TL. Stainless steel TLT. Zinc die-cast]

■ 尺寸 [Dimensions]

(mm)

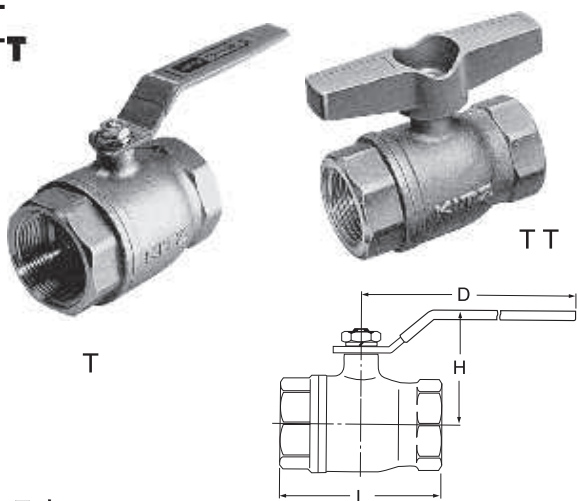
DN	mm	15	20	25	32	40	50
	inch	1/2	3/4	1	1 1/4	1 1/2	2
d 口径(Bore)		10	15	20	25	32	40
L		56	65	78	86	96	109
H TL		75	79	83	99	102	109
TLT		79	83	90	106	109	124
D TL		80	80	110	110	110	140
TLT		82	82	94	94	94	120

400

黄铜丝扣缩径球阀

Forged Brass Ball Valve Threaded ends to BS21, Reduced bore

T
TT



■ 最高工作压力 [Maximum Working Pressure]

压力变动小的水·油·气 [W.O.G. non-shock]	2.75MPa(27.5bar)
150℃水, 油, 气 [150℃ W.O.G.]	0.7 Mpa(7.0bar)

■ 材质 [Materials]

零件 [Parts]	材质 [Material]
阀体 [Body]	黄铜/青铜(DN100) [Forged brass/Cast bronze(DN100)]
阀盖 [Bonnet]	黄铜/青铜(DN100) [Forged brass/Cast bronze(DN100)]
阀杆 [Stem]	K-合金 [K-Metal]
球心 [Ball]	黄铜 [Forged brass]
密封座 [Ball seat]	聚四氟乙烯 [PTFE]
O型圈 [O-ring]	橡胶 [FPM]
手柄 [Handle]	T. 不锈钢(DN8 ~ DN50)/ 球墨铸铁(DN65以上) TT. 锌(压铸) [T. Stainless steel(DN8 ~ DN50)/ Ductile iron(DN65 and over) TT. Zinc die-cast]

■ 尺寸 [Dimensions]

(mm)

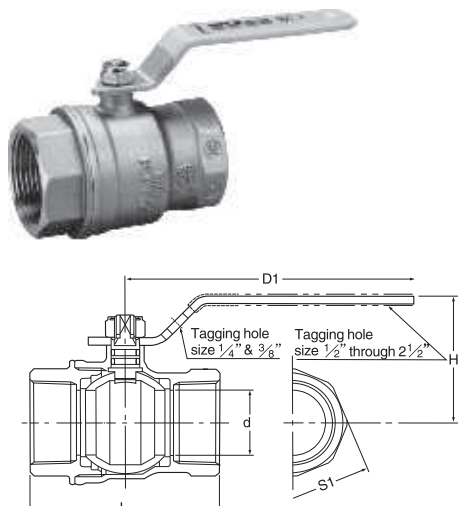
DN	mm	8	10	15	20	25	32	40	50	65	80	100
	inch	1/4	3/8	1/2	3/4	1	1 1/4	1 1/2	2	2 1/2	3	4
d 口径(Bore)		10	10	10	15	20	25	32	40	50	65	80
L		50	50	65	68	79	86	96	109	127	153	179
H T		45	45	45	50	55	60	65	75	91	105	124
TT		41	41	44	48	55	64	66	80	-	-	-
D T		60	60	80	80	110	110	110	140	200	300	400
TT		65	65	80	80	90	105	105	120	-	-	-

600

黄铜丝扣全通径球阀

Forged Brass Ball Valve Threaded ends to BS21, Full bore

SZA



■ 最高工作压力 [Maximum Working Pressure]

压力变动小的水·油·气 [W.O.G. non-shock]	1/4"~3", 4.12MPa 4", 2.75MPa
饱和蒸气 [Saturated steam]	0.98Mpa(9.8bar)

■ 材质 [Materials]

零件 [Parts]	材质 [Material]
阀体 [Body]	黄铜 [Forged brass]
阀盖 [Bonnet]	黄铜 [Forged brass]
阀杆 [Stem]	黄铜 [Brass rod]
球心 [Ball]	黄铜 [Forged brass]
密封座 [Ball seat]	聚四氟乙烯 [PTFE]
O型圈 [O-ring]	橡胶 [FPM]
手柄 [Handle]	碳素钢 [Carbon steel]

■ 尺寸 [Dimensions]

(mm)

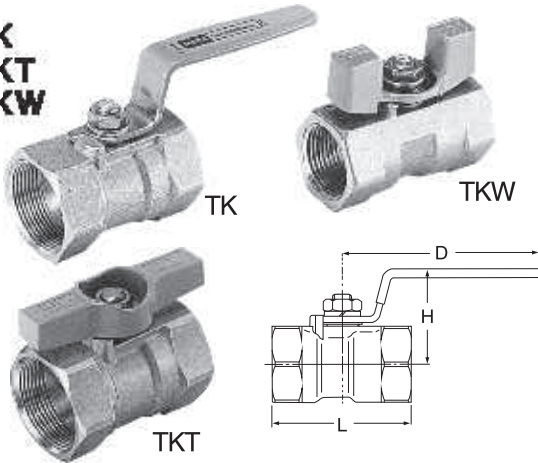
DN	mm	8	10	15	20	25	32	40	50	65	75	100
	inch	1/4	3/8	1/2	3/4	1	1 1/4	1 1/2	2	2 1/2	3	4
d: 口径(Bore)		10	10	15	20	25	32	40	50	65	76	100
L		42	42	53	60	72	84	92	110	138	167	193
H		37	37	40	43	49	55	64	72	101	112	131
D1		70	70	80	80	110	110	150	150	200	300	300
S1		20	22	26	32	39	48	55	68	84	99	125

600

黄铜丝扣缩径球阀

Forged Brass Ball Valve Threaded ends to BS21, Reduced bore

TK
TKT
TKW



■ 最高工作压力 [Maximum Working Pressure]

压力变动小的水·油·气 [W.O.G. non-shock]	4.12MPa(41.2bar)
饱和蒸气 [Saturated steam]	1.0 Mpa(10bar)

■ 材质 [Materials]

零件 [Parts]	材质 [Material]
阀体 [Body]	黄铜C3771BE [Forged brass C3771BE]
阀杆 [Stem]	K-合金 [K-Metal]
球心 [Ball]	黄铜 [Forged brass]
密封座 [Ball seat]	石墨聚四氟乙烯 [G/F+PTFE]
填料 [Gland packing]	石墨聚四氟乙烯 [G/F+PTFE]
手柄 [Handle]	TK 不锈钢 [T Stainless steel] TKT/TKW. 锌(压铸) [TKT/TKW Zinc die-cast]

■ 尺寸 [Dimensions]

(mm)

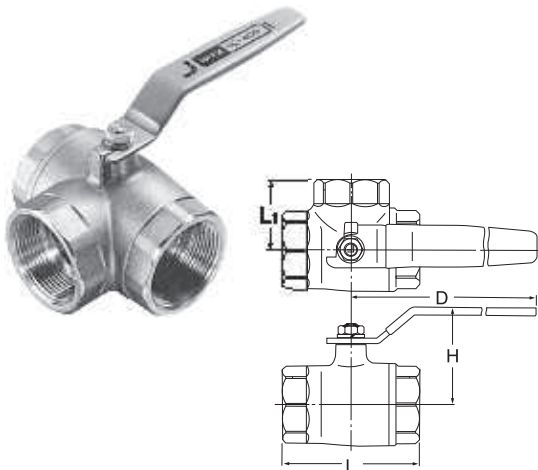
DN	mm	6	8	10	15	20	25	32	40	50
	inch	1/8	1/4	3/8	1/2	3/4	1	1 1/4	1 1/2	2
d 口径(Bore)		4.5	5	7	9.2	12.5	16	20	24.5	32
L		32	39	44	56.5	59	71	78	83	100
H	TK	31	31	36	41	44	48	54	65	72
	TKT	23	23	27	31	34	42	48	53	60
	TKW	25	25	29	35	39	-	-	-	-
D	TK	60	60	70	85	85	100	100	125	125
	TKT	35	35	40	60	60	76	76	100	100
	TKW	35	35	40	55	55	-	-	-	-

400

三通式黄铜丝扣缩径球阀

3-Way Forged Brass Ball Valve Threaded ends to BS21, Reduced bore

TN



■ 最高工作压力 [Maximum Working Pressure]

压力变动小的水·油·气 [W.O.G. non-shock]	2.75MPa(27.5bar)
150℃水, 油, 气 [150℃ W.O.G.]	0.7 Mpa (7.0bar)

■ 材质 [Materials]

零件 [Parts]	材质 [Material]
阀体 [Body]	黄铜(DN8 ~ DN50)/C3771BE 青铜(DN65以上)CAC [Forged brass(DN8 ~ DN50)/C3771BE Cast bronze(DN65 and over)CAC]
阀盖 [Body cap]	黄铜C3771BE [Forged brass C3771BE]
阀杆 [Stem]	K-合金 [K-Metal]
球心 [Ball]	黄铜 [Forged brass]
密封座 [Ball seat]	聚四氟乙烯 [PTFE]
O型圈 [O-ring]	橡胶 [FPM]
手柄 [Handle]	不锈钢(DN8 ~ DN50)/ 球墨铸铁(DN65以上) [Stainless steel(DN8 ~ DN50)/ Ductile iron(DN65 and over)]

■ 尺寸 [Dimensions]

(mm)

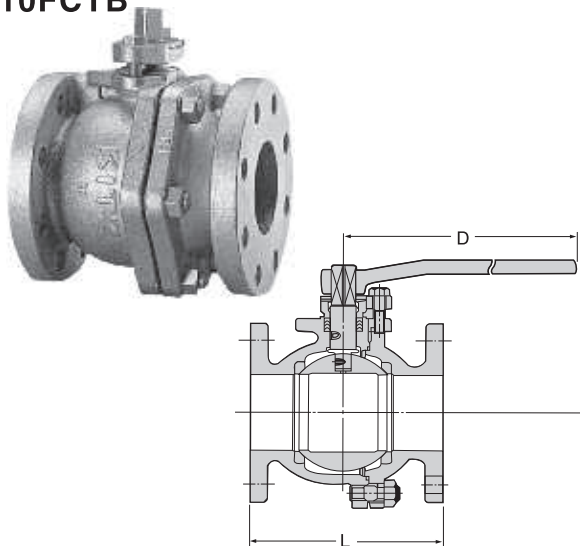
DN	mm	8	10	15	20	25	32	40	50	65	80
	inch	1/4	3/8	1/2	3/4	1	1 1/4	1 1/2	2	2 1/2	3
d 口径(Bore)		4.5	6.8	10	15	20	25	32	40	50	65
L		40	46	67	68	79	89	100	115	138	166
L1		20	23	33.5	34	39.5	44.5	50	57.5	69	83
H		30	34	45	48	55	60	65	75	91	105
D		60	80	80	80	110	110	110	140	200	300

10K

铸铁法兰全通径球阀

Cast Iron Ball Valve Flanged ends, Full bore

10FCTB



■ 最高工作压力 [Maximum Working Pressure]

120℃均衡水流	[120℃ Non-shock water]	1.37MPa(13.7bar)
120℃水, 油, 空气	[120℃ Water, Oil, Air]	0.98MPa(9.8bar)
饱和蒸气	[Saturated steam]	0.69MPa(6.9bar)

■ 材质 [Materials]

零件	[Parts]	材质	[Material]
阀体	[Body]	铸铁FC200	[Cast iron FC 200]
阀盖	[Bonnet]	铸铁FC200	[Cast iron FC 200]
阀杆	[Stem]	304型不锈钢	[304Type Stainless steel]
球心	[Ball]	304型不锈钢	[304Type Stainless steel]
密封座	[Ball seat]	聚四氟乙烯	[PTFE]
垫片	[Gasket]	聚四氟乙烯	[PTFE]
手柄	[Handle]	球墨铸铁	[Ductile iron]

■ 尺寸 [Dimensions]

(mm)

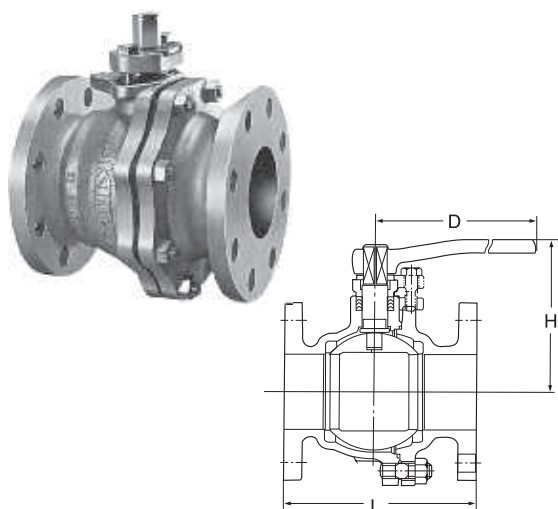
DN	mm	15	20	25	32	40	50	65	80	100	125	150	200
	inch	1/2	3/4	1	1 1/4	1 1/2	2	2 1/2	3	4	5	6	8
d 口径(Bore)		15	20	25	32	40	50	65	80	100	125	150	200
L		110	120	130	140	165	180	190	200	230	300	340	450
H		102	105	124	130	115	120	155	165	300	220	295	355
D		130	130	160	160	230	230	400	400	460	460	1000	1500

10K

球墨铸铁法兰全通径球阀

Ductile Iron Ball Valve Flanged ends, Full bore

10STBF



■ 最高工作压力 [Maximum Working Pressure]

120℃压力变动小的水·油·气	[120℃ W.O.G. non-shock]	1.37MPa(13.7bar)
160℃水, 油, 气 (DN100以下)	[160℃ W.O.G.(DN100 and smaller)]	0.98MPa(9.8bar)
140℃水, 油, 气 (DN125以上)	[140℃ W.O.G.(DN125 and over)]	0.98Mpa(9.8bar)

■ 材质 [Materials]

零件	[Parts]	材质	[Material]
阀体	[Body]	球墨铸铁FCD200	[Ductile iron FCD200]
阀盖	[Bonnet]	球墨铸铁FCD200	[Ductile iron FCD200]
阀杆	[Stem]	304型不锈钢	[304Type Stainless steel]
球心	[Ball]	304型不锈钢	[304Type Stainless steel]
密封座	[Ball seat]	聚四氟乙烯	[PTFE]
填料	[Gland packing]	聚四氟乙烯	[PTFE]
垫片	[Gasket]	聚四氟乙烯	[PTFE]
手柄	[Handle]	球墨铸铁	[Ductile iron]

■ 尺寸 [Dimensions]

(mm)

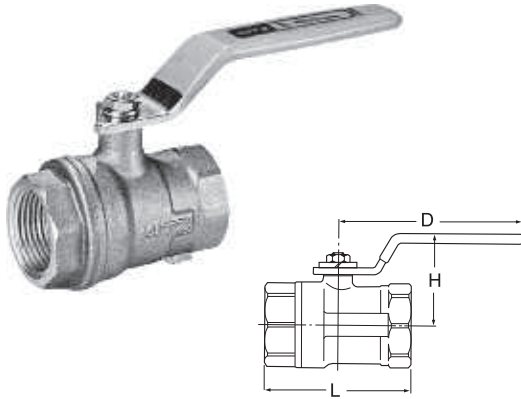
DN	mm	15	20	25	32	40	50	65	80	100	125	150	200
	inch	1/2	3/4	1	1 1/4	1 1/2	2	2 1/2	3	4	5	6	8
d 口径(Bore)		15	20	25	32	40	50	65	80	100	125	150	200
L		108	117	127	140	165	178	190	203	229	356	394	457
H		106	109	130	135	115	120	153	162	199	219	293	352
D		130	130	160	160	230	230	400	400	460	460	1000	1500

400

球墨铸铁丝扣缩径球阀

Ductile Iron Ball Valve Threaded ends to BS21, Reduced bore

ST



■ 最高工作压力 [Maximum Working Pressure]

压力变动小的水·油·气 [W.O.G. non-shock]	2.8MPa(28bar)
饱和蒸气 [Saturated steam]	1.0Mpa(10bar)

■ 材质 [Materials]

零件 [Parts]	材质 [Material]
阀体 [Body]	球墨铸铁FCD-S [Ductile iron FCD-S]
阀盖 [Body cap]	球墨铸铁FCD-S [Ductile iron FCD-S]
阀杆 [Stem]	K-合金 [K-Metal]
球心 [Ball]	黄铜C3771BE [Forged brass C3771BE]
密封座 [Ball seat]	石墨聚四氟乙烯 [G/F+PTFE]
填料 [Gland packing]	聚四氟乙烯 [PTFE]
垫片 [Gasket]	聚四氟乙烯 [PTFE]
手柄 [Handle]	不锈钢 [Stainless steel]

■ 尺寸 [Dimensions]

(mm)

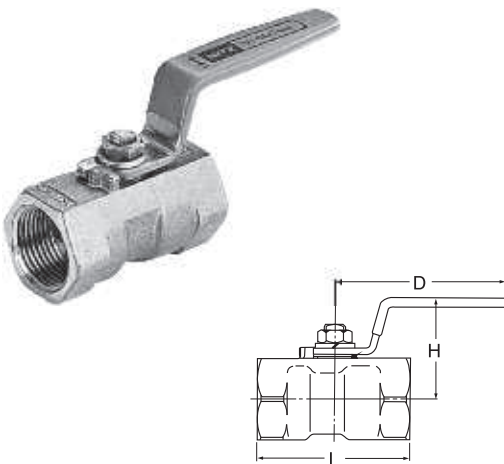
DN	mm inch	8 1/4	10 3/8	15 1/2	20 3/4	25 1	32 1 1/4	40 1 1/2	50 2
d 口径(Bore)		9.2	9.2	12.5	16	20	24.5	32	40
L		46	51	57	65	76	86	95	115
H		38	38	42	49	52	57	63	68
D		80	80	100	130	130	130	130	150

600

不锈钢丝扣缩径球阀

Stainless Steel Ball Valve Threaded ends to BS21, Reduced bore

UTK
UTKM



■ 最高工作压力 [Maximum Working Pressure]

压力变动小的水·油·气 [W.O.G. non-shock]	4.2MPa(42bar)
--------------------------------	---------------

■ 材质 [Materials]

零件 [Parts]	材质 [Material]
阀体 [Body]	不锈钢* [Stainless steel] *
阀杆 [Stem]	不锈钢* [Stainless steel] *
球心 [Ball]	316型不锈钢/ 304型不锈钢(UTK.DN15以上) [316Type Stainless steel/ 304Type Stainless steel(UTK.DN15 and over)]
密封座 [Ball seat]	聚四氟乙烯 [PTFE]
填料 [Gland packing]	聚四氟乙烯 [PTFE]
手柄 [Handle]	不锈钢 [Stainless steel]

*UTK=304型(304Type)/UTKM=316型(316Type)

■ 尺寸 [Dimensions]

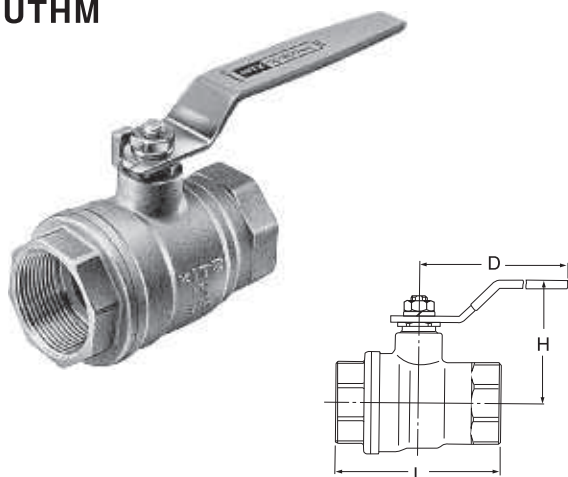
(mm)

DN	mm inch	8 1/4	10 3/8	15 1/2	20 3/4	25 1	32 1 1/4	40 1 1/2	50 2
d 口径(Bore)		5	7	9.2	12.5	16	20	24.5	32
L		39	44	56.5	59	71	78	83	100
H		31	36	41	44	48	54	65	72
D		60	70	85	85	100	100	125	125

800

不锈钢丝扣缩径球阀

Stainless Steel Ball Valve Threaded ends to BS21, Reduced bore

UTH
UTHM

■ 最高工作压力 [Maximum Working Pressure]

压力变动小的水·油·气 [W.O.G. non-shock]	5.6MPa(56bar)
--------------------------------	---------------

■ 材质 [Materials]

零件 [Parts]	材质 [Material]
阀体 [Body]	不锈钢* [Stainless steel] *
阀盖 [Body cap]	不锈钢* [Stainless steel] *
阀杆 [Stem]	不锈钢* [Stainless steel] *
球心 [Ball]	不锈钢* [Stainless steel] *
密封座 [Ball seat]	聚四氟乙烯 [PTFE]
填料 [Gland packing]	聚四氟乙烯 [PTFE]
手柄 [Handle]	不锈钢 [Stainless steel]

*UTH=304型(304Type)/UTHM=316型(316Type)

■ 尺寸 [Dimensions]

(mm)

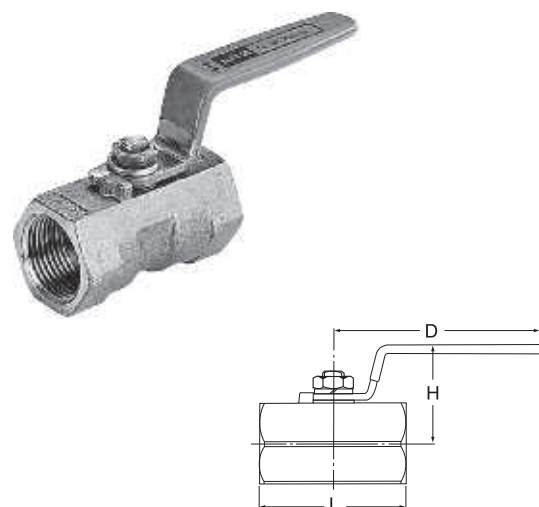
DN	mm	15	20	25	32	40	50
	inch	1/2	3/4	1	1 1/4	1 1/2	2
d 口径(Bore)		10	15	20	25	32	40
L		60	70	80	95	108	124
H		47	53	63	67	78	84
D		100	100	130	130	150	150

600

铸钢丝扣缩径球阀

Cast Steel Ball Valve Threaded ends to BS21, Reduced bore

SCTK



■ 最高工作压力 [Maximum Working Pressure]

压力变动小的水·油·气 [W.O.G. non-shock]	4.2MPa(42bar)
--------------------------------	---------------

■ 材质 [Materials]

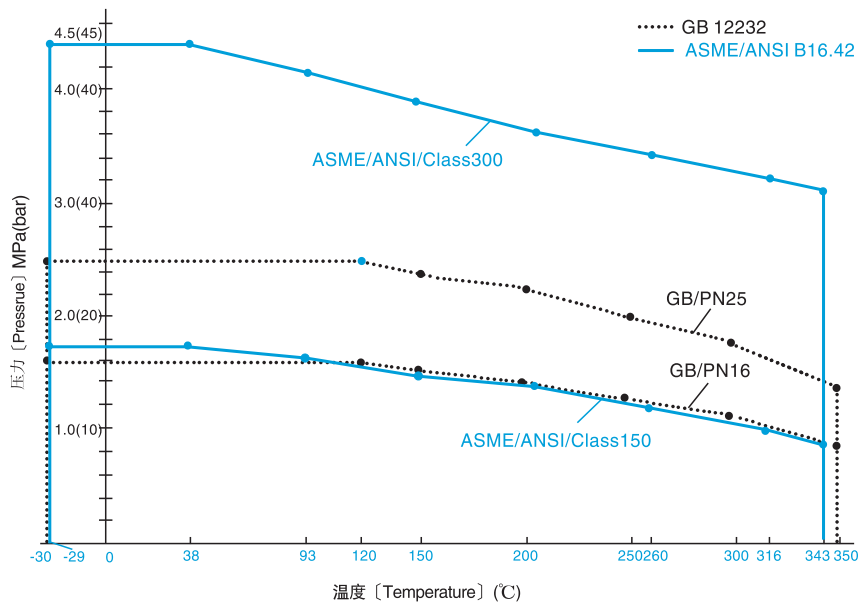
零件 [Parts]	材质 [Material]
阀体 [Body]	铸钢SCPH2 [Cast steel]
阀杆 [Stem]	304型不锈钢 [304Type stainless steel]
球心 [Ball]	316型不锈钢(DN8, DN10) 304型不锈钢(DN15以上) [316Type Stainless steel(DN8 and DN10) 304Type Stainless steel(DN15 and over)]
密封座 [Ball seat]	聚四氟乙烯 [G/F+PTFE]
填料 [Gland packing]	聚四氟乙烯 [G/F+PTFE]
手柄 [Handle]	不锈钢 [Stainless steel]

■ 尺寸 [Dimensions]

(mm)

DN	mm	8	10	15	20	25	32	40	50
	inch	1/4	3/8	1/2	3/4	1	1 1/4	1 1/2	2
d 口径(Bore)		5	7	9.2	12.5	16	20	24.5	32
L		39	44	56.5	59	71	78	83	100
H		31	36	41	44	48	54	65	72
D		60	70	85	85	100	100	125	125

球墨铸铁阀门压力—温度表 [Ductile Iron Valve P-T Rating]



1. GB 12232

压力等级 [Class]	最大工作压力 [Maximum working pressure] MPa(bar)					
	-30~120°C	150°C	200°C	250°C	300°C	350°C
PN16	1.6(16)	1.52(15.2)	1.44(14.4)	1.28(12.8)	1.12(11.2)	0.88 (8.8)
PN25	2.5(25)	2.38(23.8)	2.25(22.5)	2.0(20.0)	1.75(17.5)	1.38(13.8)

2. ASME/ANSI B16.42

压力等级 [Class]	最大工作压力 [Maximum working pressure] MPa(bar)						
	-29~38°C	93°C	149°C	204°C	260°C	316°C	343°C
150	1.72(17.2)	1.62(16.2)	1.48(14.8)	1.38(13.8)	1.17(11.7)	0.97 (9.7)	0.86 (8.6)
300	4.41(44.1)	4.14(41.4)	3.9 (39.0)	3.62(36.2)	3.41(34.1)	3.21(32.1)	3.1 (13.0)